

*G. J. Monkman, S. Hesse,  
R. Steinmann, H. Schunk*  
**Robot Grippers**

## 1807–2007 Knowledge for Generations

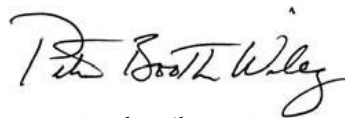
Each generation has its unique needs and aspirations. When Charles Wiley first opened his small printing shop in lower Manhattan in 1807, it was a generation of boundless potential searching for an identity. And we were there, helping to define a new American literary tradition. Over half a century later, in the midst of the Second Industrial Revolution, it was a generation focused on building the future. Once again, we were there, supplying the critical scientific, technical, and engineering knowledge that helped frame the world. Throughout the 20th Century, and into the new millennium, nations began to reach out beyond their own borders and a new international community was born. Wiley was there, expanding its operations around the world to enable a global exchange of ideas, opinions, and know-how.

For 200 years, Wiley has been an integral part of each generation's journey, enabling the flow of information and understanding necessary to meet their needs and fulfill their aspirations. Today, bold new technologies are changing the way we live and learn. Wiley will be there, providing you the must-have knowledge you need to imagine new worlds, new possibilities, and new opportunities.

Generations come and go, but you can always count on Wiley to provide you the knowledge you need, when and where you need it!



*William J. Pesce*  
William J. Pesce  
President and Chief Executive Officer



*Peter Booth Wiley*  
Peter Booth Wiley  
Chairman of the Board

*Gareth J. Monkman, Stefan Hesse,  
Ralf Steinmann, Henrik Schunk*

## **Robot Grippers**



WILEY-VCH Verlag GmbH & Co. KGaA

**The Authors**

**Prof. Gareth Monkman**

FH Regensburg  
gareth.monkman@e-technik.fh-regensburg.de

**Dr. Stefan Hesse**

Büro Handhabetechnik, Plauen  
Hhbuerohesse@aol.com

**Ralf Steinmann**

Schunk GmbH & Co. KG, Lauffen/Neckar  
steinmann@schunk.de

**Henrik Schunk**

Schunk GmbH & Co. KG, Lauffen/Neckar  
schunk@schunk.de

**Original title:**

S. Hosse, G. Monkman, R. Steinmann  
H. Schunk  
Robotgreifer: Funktion, Gestaltung und  
Anwendung industrieller Greiftechnik  
Hanser, 2004

**Translation:**

Valentin Petrov

All books published by Wiley-VCH are carefully produced. Nevertheless, authors, editors, and publisher do not warrant the information contained in these books, including this book, to be free of errors. Readers are advised to keep in mind that statements, data, illustrations, procedural details or other items may inadvertently be inaccurate.

**Library of Congress Card No.:** applied for

**British Library Cataloguing-in-Publication Data:**

A catalogue record for this book is available from the British Library

**Bibliographic information published by the Deutsche Nationalbibliothek**

The Deutsche Nationalbibliothek lists this publication in the Deutsche Nationalbibliografie; detailed bibliographic data are available in the Internet at <http://dnb.d-nb.de>

© 2007 WILEY-VCH Verlag GmbH & Co. KGaA, Weinheim

All rights reserved (including those of translation into other languages). No part of this book may be reproduced in any form – by photoprinting, microfilm, or any other means – nor transmitted or translated into a machine language without written permission from the publishers. Registered names, trademarks, etc. used in this book, even when not specifically marked as such, are not to be considered unprotected by law.

**Cover illustration** Atelier Frank Wohlgemuth, Bremen

**Typesetting** Druckhaus Götz GmbH, Ludwigsburg

**Printing** betz-druck GmbH, Darmstadt

**Binding** Litges & Dopf Buchbinderei GmbH, Heppenheim

Printed in the Federal Republic of Germany

Printed on acid-free paper

ISBN: 978-3-527-40619-7

## Preface

This is the English version of the book of the same name previously published in German. However, it is not simply a translation but largely a new work as a comparison with the original will reveal. Much of the former content remains as it were but the organisation has been altered in line with Anglo-Saxon literary tradition.

Exactly at whom this book is aimed is a little difficult to summarise in a single statement. The work acknowledges the maturity of the robotics field and consequently its content is aimed largely at industrial users. Nevertheless, it will certainly also be of value to both undergraduate students in Mechatronics, mechanical and electrical engineering and post graduate researchers working in the field of robotic prehension.

References are given per chapter and, where particularly relevant, are sometimes repeated. Many refer to the original works in English, French, German and Russian, though where possible additional texts from the same author(s) are given in a second language (where available).

*The Authors*

## Contents

	<b>Preface</b>	V
<b>1</b>	<b>Introduction to Prehension Technology</b>	1
1.1	Grippers for Mechanization and Automation	1
1.2	Definitions and Conceptual Basics	2
1.3	Grasping in Natural Systems	10
1.4	Historical Overview of Technical Hands	14
<b>2</b>	<b>Automatic Prehension</b>	19
2.1	Active Pair Mating	19
2.2	Strategy and Procedures	27
2.2.1	Prehension Strategy	27
	Example of a prehension strategy	35
2.2.2	Gripping Procedure, Conditions and Force	36
2.2.3	Gripper Flexibility	59
2.3	Gripper Classification	61
2.4	Requirements and Gripper Characteristics	63
2.5	Planning and Selection of Grippers	67
<b>3</b>	<b>Impactive Mechanical Grippers</b>	75
3.1	Gripper Drives	75
3.1.1	Electromechanical Drives	78
3.1.2	Pneumatic Drives	84
3.1.3	Electrostrictive and Piezoelectric Actuation	92
3.2	Design of Impactive Grippers	94
3.2.1	Systematics and Kinematics	94
3.2.1.1	Parallel Impactive Grippers	101
3.2.2	Angular Impactive Grippers	122
3.2.3	Radial Impactive Grippers (Centring Grippers)	131
3.2.4	Internal Grippers	132
3.2.5	Gripper with Self-blocking Capability	135
3.2.6	Rotatable Jaw Grippers	137
3.2.7	Gripper Finger and Jaw Design	138

3.2.8	Self Securing Grippers	142
3.2.8.1	Securing Through Spring Forces	142
3.2.8.2	Securing Through Object Mass	146
3.2.9	Three-finger Grippers	153
3.2.10	Four-finger Grippers and Four-point Prehension	157
<b>4</b>	<b>Ingressive Grippers</b>	<b>161</b>
4.1	Flexible Materials	161
4.1.1	Pinch Mechanisms	162
4.1.2	Intrusive Mechanisms	163
4.1.3	Non-Intrusive Mechanisms	166
<b>5</b>	<b>Astrictive Prehension</b>	<b>169</b>
5.1	Vacuum Suction	169
5.1.1	Vacuum Production	170
5.1.2	Vacuum Suckers	176
5.1.3	Passive Suction Caps	199
5.1.4	Air Jet Grippers	202
5.2	Magneto adhesion	204
5.2.1	Permanent Magnet Grippers	204
5.2.2	Electromagnetic Grippers	207
5.2.3	Hybrid Electromagnetic Grippers	215
5.4	Electro adhesion	216
5.4.1	Electro adhesive Prehension of Electrical Conductors	216
5.4.2	Electro adhesive Prehension of Electrical Insulators	220
<b>6</b>	<b>Contigutive Prehension</b>	<b>227</b>
6.1	Chemoadhesion	227
6.2	Thermo adhesion	232
<b>7</b>	<b>Miniature Grippers and Microgrippers</b>	<b>237</b>
7.1	Impactive Microgrippers	238
7.1.1	Electromechanically Driven Impactive Microgrippers	238
7.1.2	Thermally Driven Impactive Microgrippers	240
7.1.3	Electrostatically Driven Impactive Microgrippers	245
7.2	Astrictive Microgrippers	248
7.2.1	Vacuum Microgrippers	248
7.2.2	Electro adhesive Microgrippers	249
7.3	Contigutive Microgrippers	250
<b>8</b>	<b>Special Designs</b>	<b>253</b>
8.1	Clasping (Embracing) Grippers	253
8.2	Anthropomorphic Grippers	257
8.2.1	Jointed finger Grippers	258
8.2.2	Jointless Finger Grippers	264
8.3	Dextrous Hands	268

<b>9</b>	<b>Hand Axes and Kinematics</b>	279
9.1	Kinematic Necessities and Design	280
9.2	Rotary and Pivot Units	285
<b>10</b>	<b>Separation</b>	291
10.1	Separation of Randomly Mixed Materials	291
10.2	Separation of Rigid Three Dimensional Objects	292
10.3	Separation of Rigid Sheet Materials	292
10.3.1	Gripping of Thin Blanks from a Magazine	292
10.3.2	Air Flow Grippers	295
10.4	Separation of Non-Rigid Sheet Materials	298
10.4.1	Roller Grippers	301
<b>11</b>	<b>Instrumentation and Control</b>	309
11.1	Gripper Sensor Technology	309
11.2	Perception Types	309
11.2.1	Tactile Sensors	310
11.2.2	Proximity Sensors	313
11.2.3	Measurement sensors	317
11.2.4	Finger Position Measurement	323
11.2.5	Measuring Procedures in the Gripper	324
11.3	Sensory Integration	326
11.3.1	Discrete and Continuous Sensing	327
11.3.2	Software and Hardware Interrupts	328
11.3.3	Sensor Fusion	328
11.4	Gripper Control	328
11.4.1	Control of Pneumatically Driven Grippers	329
11.4.2	Control of Electrically Driven Grippers	331
<b>12</b>	<b>Tool Exchange and Reconfigurability</b>	333
12.1	Multiple Grippers	333
12.1.1	Double and Multiple Grippers	333
12.1.2	Multiple Gripper Transfer Rails	336
12.1.3	Turrets	338
12.2	Specialized Grippers	342
12.2.1	Composite Grippers	342
12.2.2	Reconfigurable Grippers	344
12.2.3	Modular Gripper Systems	345
12.3	Gripper Exchange Systems	348
12.3.1	Tool Exchange	348
12.3.2	Task, Functions and Coupling Elements	350
12.3.3	Joining Techniques and Process Media Connection	353
12.3.4	Manual Exchange Systems	354
12.3.5	Automatic Exchange Systems	358
12.3.6	Finger Exchange Systems	362
12.4	Integrated Processing	363



<b>13</b>	<b>Compliance</b>	367
13.1	Remote Centre Compliance (RCC)	368
13.2	Instrumented Remote Centre Compliance (IRCC)	372
13.3	Near Collet Compliance (NCC)	374
13.4	Parts Feeding	375
13.5	Mechanical Compliance	377
13.6	Pneumatic Compliance	383
13.6.1	Internal Prehension Through Membrane Expansion	384
13.6.2	External Prehension Through Membrane Expansion	387
13.7	Shape Adaptive Grippers	391
13.7.1	Partially Compliant Shape Adaptive Grippers	391
13.7.2	Totally Compliant Shape Adaptive Grippers	393
13.8	Collision Protection and Safety	396
13.8.1	Safety Requirements	396
13.8.2	Collision Protection Systems	396
13.8.3	Failure Safety	397
<b>14</b>	<b>Selected Case Studies</b>	401
14.1	Simple Telemanipulation	401
14.2	Grippers for Sheet and Plate Components	405
14.2.1	Impactive Grippers for Sheet Metal Handling	406
14.2.2	Astrictive Grippers for Sheet Metal	409
14.2.3	Astrictive Grippers for Glass Sheet	412
14.2.4	Astrictive Grippers for Composite Material Handling	412
14.3	Prehension of Cuboid Objects	413
14.4	Prehension of Cylindrical Objects	417
14.4.1	Serial Prehension of Tubes	418
14.4.2	Prehension of Wound Coils	419
14.4.3	Prehension of Slit Coils	420
14.5	Prehension of Objects with Irregular Topology	420
14.5.1	Handling of Castings	420
14.5.2	Mounting of Dashboards for Automobiles	421
14.5.3	Prehension of Water Pumps	422
14.5.4	Astrictive Prehension of Irregular Surfaces	422
14.6	Multiple Object Prehension	423
14.6.1	Packaging of Candies	424
14.6.2	Bottle Palletization	425
14.6.3	Multiple Irregular Shaped Objects	425
14.7	Prehension of Flexible Objects	426
14.7.1	Bag and Sack Grippers	426
14.7.2	Gripping and Mounting of Outside O-rings	428
14.8	Medical Applications	430
	<b>References</b>	433
	<b>Subject Index</b>	443

# 1

## Introduction to Prehension Technology

Human labour has always been associated with the acquisition of specific skills, methods, and tools making the work and its environment easier and more effective. Increasing competition from industrial robots for tasks normally carried out by human hands has led to the need for more effective handling equipment, especially prehension tools (more commonly called “grippers”). However, industrial robots are not simply a substitute for people. Their relevance is more often in applications beyond the normal ability (physical or temporal) of conventional manpower. Examples include, dirty, hazardous and repetitive work. Just as human hands are the organs of human manipulation, so are robot grippers usually the only parts in direct contact with the workpiece. For this reason they deserve special attention – to which this book is dedicated.

### 1.1

#### Grippers for Mechanization and Automation

Grippers are active links between the handling equipment and the workpiece or in a more general sense between the grasping organ (normally the gripper fingers) and the object to be acquired. Their functions depend on specific applications and include:

- Temporary maintenance of a definite position and orientation of the workpiece relative to the gripper and the handling equipment.
- Retaining of static (weight), dynamic (motion, acceleration or deceleration) or process specific forces and moments.
- Determination and change of position and orientation of the object relative to the handling equipment by means of wrist axes.
- Specific technical operations performed with, or in conjunction with, the gripper.

Grippers are not only required for use with industrial robots: they are a universal component in automation. Grippers operate with:

- Industrial robots (handling and manipulation of objects).
- Hard automation (assembling, microassembling, machining, and packaging).
- NC machines (tool change) and special purpose machines.
- Hand-guided manipulators (remote prehension, medical, aerospace, nautical).
- Workpiece turret devices in manufacturing technology.

- Rope and chain lifting tools (load-carrying equipment).
- Service robots (prehension tools potentially similar to prosthetic hands).

In robotics technology grippers belong to the functional units having the greatest variety of designs. This is due to the fact that, although the robot is a flexible machine, the gripper performs a much more specific task. Nevertheless, these tasks are not limited to prehension alone which is why the more generic term “end-effector” is often used.

The great number of different requirements, diverse workpieces and the desire for well adapted and reliable systems will continue to stimulate further developments in future gripper design. Many experts consider the capabilities of the gripper as an essential factor for the economic effectiveness of automatic assembly systems. Experience indicates that in the future it will only be possible to respond to practical demands if flexible designs for assembly equipment are available. Consequently, grippers must become ever more flexible. Assembly relates not only to prehension and manipulation of objects but also to pressing, fitting and joining operations. Many grippers are employed for the loading of manufacturing lines, in packaging and storage as well as the handling of objects in laboratory test and inspection systems.

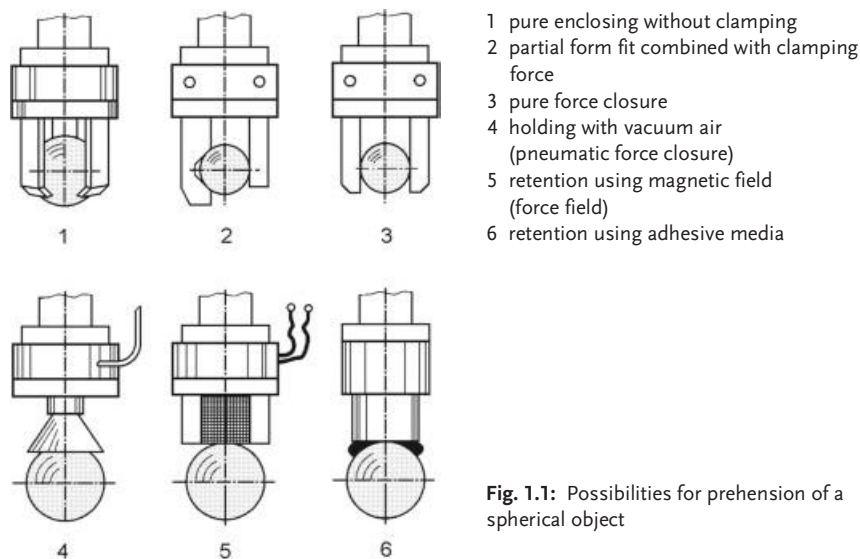
More recently, miniaturized grippers have been developed in order to handle delicate components in microtechnology. This has gone hand in hand with the emergence of many novel prehension methods. The number of grippers used in nonindustrial areas, e.g. in civil engineering, space research, handicraft, medical and pharmaceutical engineering is steadily increasing. Hand-guided (teleoperation) or automatic manipulators are used in these areas primarily as handling machines. In addition to conventional grippers, for which the gripper jaws are shaped according to the workpiece profile, there exist numerous application specific grippers. This explains why an overwhelming proportion of corresponding patent literature is devoted to prehension concepts of unconventional design. In general, end-effectors are not normally within the delivery remit of robot manufacturers. Depending on the specific requirements, they are selected as accessories from tooling manufacturers or specially designed for the given purpose.

## 1.2

### Definitions and Conceptual Basics

Grasping organs or tools constitute the end of the kinematic chain in the joint system of an industrial robot and facilitate interaction with the work environment. Although universal grippers with wide clamping ranges can be used for diverse object shapes, in many cases they must be adapted to the specific workpiece shape.

**Grippers** are subsystems of handling mechanisms which provide temporary contact with the object to be grasped. They ensure the position and orientation when carrying and mating the object to the handling equipment. Prehension is achieved by force producing and form matching elements. The term “gripper” is also used in cases where no actual grasping, but rather holding of the object as e.g. in vacuum suction where the retention force can act on a point, line or surface.



**Fig. 1.1:** Possibilities for prehension of a spherical object

Three of the most usual forms (impactive, astrictive and contigutive) of object prehension are depicted in six different examples in Figure 1.1.

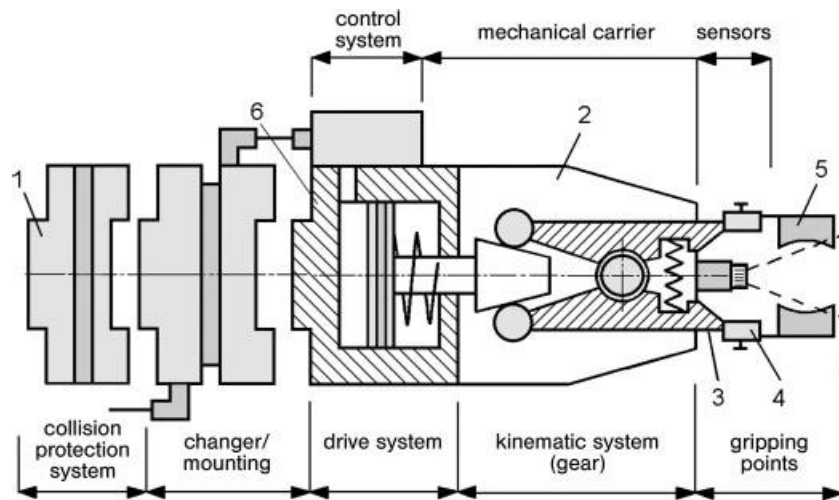
One should differentiate between grasping (prehension) and holding (retention) forces. While the grasping force is applied at the initial point of prehension (during the grasping process), the holding force maintains the grip thereafter (until object release). In the many cases the retention force may be weaker than the prehension force. The grasping force is determined by the energy required for the mechanical motion leading to a static prehension force. The functional chain *drive* → *kinematics* → *holding system* is given, however, only for mechanical grippers. Astrictive vacuum suction grippers require no such kinematics [1-1].

There are some characteristic terms that are often used in prehension technology. Grippers consist mostly of several modules and components. In the following, the most essential terms used will be explained considering as an example a mechanical gripper such as the one shown in Figure 1.2.

A short glossary of further important terms used in gripper technology is briefly explained below.

**Astrictive gripper:** A binding force produced by a field is astrictive. This field may take the form of air movement (vacuum suction), magnetism or electrostatic charge displacement.

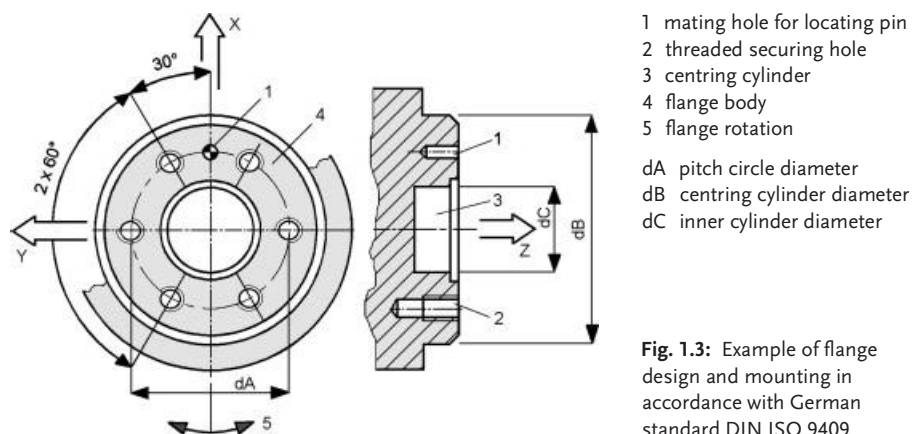
**Basic jaw (*universal jaw*):** The part of an impactive gripper subjected to movement. An integral part of the gripper mechanics, the basic jaw is not usually replaceable. However, the basic jaws may be fitted with additional fingers in accordance with specific requirements.



**Fig. 1.2:** Subsystems of a mechanical gripper  
 1 remote centre compliance, 2 carrier, 3 gripper finger, 4 basic jaw, 5 extended jaw, 6 flange

**Basic unit:** Basic module containing all gripper components which is equipped for connecting (flange, hole pattern) the gripper to the manipulator. The connecting capability implies a mechanical, power, and information interface. Figure 1.3 shows a flange design in accordance with DIN ISO 9409. This German industrial standard and its subsequent amendments contain design requirements concerning the different overall size, pitch circle diameter, centring cylinder dimensions, number of threaded holes and respective thread pitch as well as some position tolerances. The flange can also be drilled to allow feeding of power and control cables.

**Chemoadhesion:** Contigutive prehension force by means of chemical effects. Usually in the form of an adhesive (permatack or single use).



**Fig. 1.3:** Example of flange design and mounting in accordance with German standard DIN ISO 9409

**Contigutive gripper:** Contigutive means touching. Grippers whose surface must make direct contact with the objects surface in order to produce prehension are termed contigutive. Examples include chemical and thermal adhesion.

**Control system:** In most of the cases a relatively simple control component for analysing or pre-processing sensor information for regulation and/or automatic adjustment of prehension forces.

**Dextrous hand:** Anthropoidal artificial hand (rarely for industrial use), which is equipped with three or more jointed fingers and may be capable of sophisticated, programmed or remote controlled operations.

**Double grippers:** Two grippers mounted on the same substrate, intended for the temporal and functional prehension of two objects independently.

**Drive system:** A component assembly which transforms the applied (electrical, pneumatic, hydraulic) energy into rotary or translational motion in a given kinematic system.

**Dual grippers:** Two grippers mounted on the same substrate, intended for the simultaneously prehension of two objects.

**Electroadhesion:** Prehension force by means of an electrostatic field.

**End effector** (*end-of-arm tooling*): Generic term for all functional units involved in direct interaction of the robot system with the environment or with a given object. These include grippers, robot tools, inspection equipment and other parts at the end of a kinematic chain.

**Extended jaw:** An (optional) additional jaw situated at the end of an impactive gripper finger. It may, in preference to the finger itself, be modified to fit the profile of the object and it may be replaceable.

**Gripper:** The generic term for all prehension devices whether robotic or otherwise. Loosely defined in four categories: Impactive, Astrictive, Ingressive and Contigutive.

**Gripper axis:** A frame with its origin in the TCP (Tool Centre Point). This coordinate system is used to specify the gripper orientation. Figure 1.4 shows a gripper with three translational and three rotational degrees of freedom. The gripper frame is normally defined relative to the flange frame of the industrial robot.

**Gripper changing system:** A module for rapid manual, but in most cases automatic, exchange of an end-effector using a standard mechanical interface. In doing so, all power and control cables must be disconnected and reconnected.

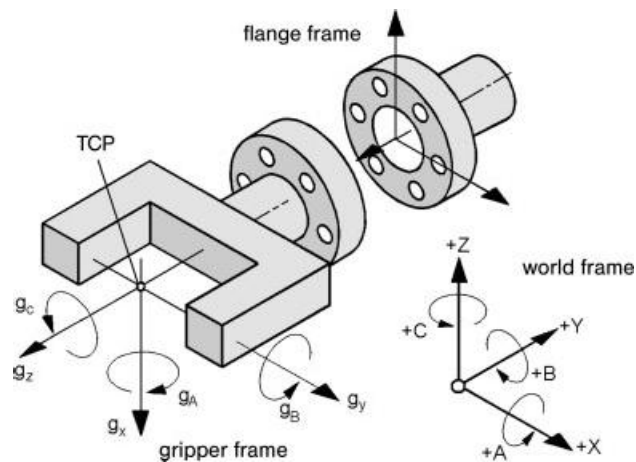


Fig. 1.4: Gripper frame

**Gripper finger:** Rigid, elastic, or multi-link grasping organ to enclose or clasp the object to be handled. Fingers are often equipped with extended gripper jaws at their ends. The gripper finger is usually (though not always) the active part making contact between the gripper and the object.

**Gripper hand (*hand unit*):** Grippers with multiple jointed fingers, each of them representing an open kinematic chain and possessing a high degree of freedom with  $f$  joints, e.g.  $f = 9$ .

**Gripper jaw:** The part of the gripper to which the fingers are normally attached. The jaw does not necessarily come into contact with the object to be gripped. Note: in some cases gripper fingers may be fitted with an additional small (extended) jaws at their ends.

**Gripping area:** Area of the prehension (gripper jaw) across which force is transmitted to the object surface. The larger the contact surface area of an impactive gripper, the smaller the pressure on the object surface.

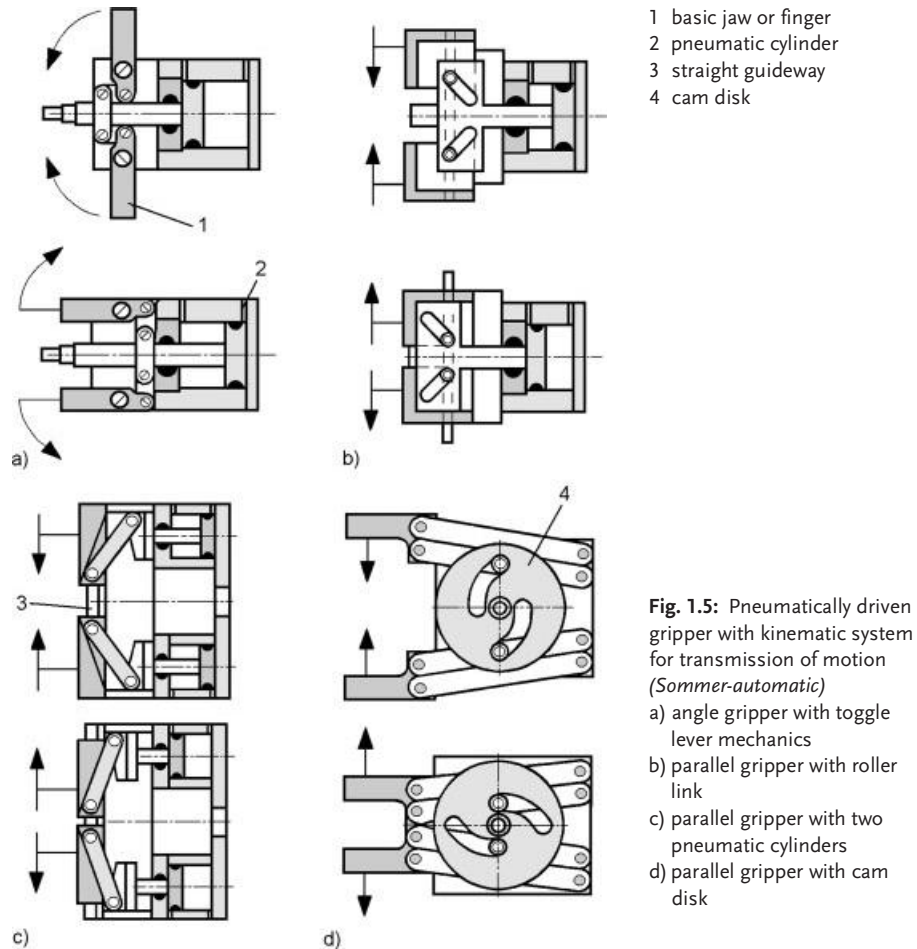
**Gripping surface:** The passive contact surface between object and gripper, i.e. the surface which is subjected to prehension forces.

**Holding system:** A term often used for an active prehension system including gripper, jaws and fingers. It may also apply to a passive temporary retaining device.

**Impactive gripper:** A mechanical gripper whereby prehension is achieved by impactive forces, i.e. forces which impact against the surface of the object to be acquired.

**Ingressive gripper:** Ingression refers to the permeation of an objects surface by the prehension means. Ingression can be intrusive (pins) or non intrusive (e.g. hook and loop).

**Kinematic system:** Mechanical unit (gear) converting drive motion of the prime mover into prehension action (jaw motion) with characteristic transmission rates for velocities and forces. The most often used kinematic components are lever, screw, and toggle lever gears. The gear determines the final velocity of the jaw movement, and the gripping force characteristics. Grippers without moving elements require no kinematics. Some examples of gears are shown in Figure 1.5.



**Magneto adhesion:** Prehension force by means of a magnetic field (permanent or electrically generated).

**Multiple grippers:** Several grippers mounted on the same substrate, intended for the simultaneous prehension of more than two objects.



**Prehendability:** The suitability of an object to be automatically gripped. Dependant on the surface properties, weight and strength when exposed to prehension forces. This property can sometimes be enhanced by applying such surfaces or elements (handling adapters) which are required only for a particular procedure.

**Prehension:** The act of acquiring an object in or onto the gripper.

**Prehension planning:** Deals with the problem of how to ensure stable mating between robot gripper and workpiece. A prehension strategy must be chosen in such a way that it can be accomplished in a stable manner and collision free. Post prehension misalignment of the object is undesirable. In many circumstances, special constraints must be observed in order to avoid contact with certain parts of the object (forbidden zones).

**Prehension systems:** Complete systems including grippers supplemented with additional units (subsystems), e.g. rotation, pivot and short-travel units, changing systems, joining (adjustment) tools, collision and overload protection mechanisms, measuring devices and other sensors.

**Protection system:** These are elements attached to the inner or outer part of the gripper which are activated in case of overload or collision in order to protect the robot and gripper from damage (warning signal, emergency stop activation, passive or active evasive movement).

**Retention:** Pertains to the post prehension status of an object already held in the gripper. Note: prehension and retention forces are not always equal.

**Sensor system:** Sensors pertinent to the task of prehension. This may include sensors built into the end-effector, possibly with integrated data pre-processing, for position detection, registration of object approach, determination of gripping force, path and angle measurements, slippage detection etc.

**Sucker:** Normally refers to a passive suction element (disk, cap or cup) which does not require active vacuum suction but relies on the evacuation of air by distortion of the element against the object surface.

**Suction head:** A form of astrictive gripper which may consist of one or more vacuum suction elements (discs, caps or cups) from which air is actively evacuated by means of externally generated negative pressure.

**Synchronization:** In the majority of 2 and 3 finger grippers it is intended that the fingers close in a uniform manner towards the centre of the gripper. In order to achieve this the motion of the fingers must be synchronized. Pneumatic cylinders, as can be seen from the example in Figure 1.6, can be moved synchronously by means of a shaft with both right and left handed threads.

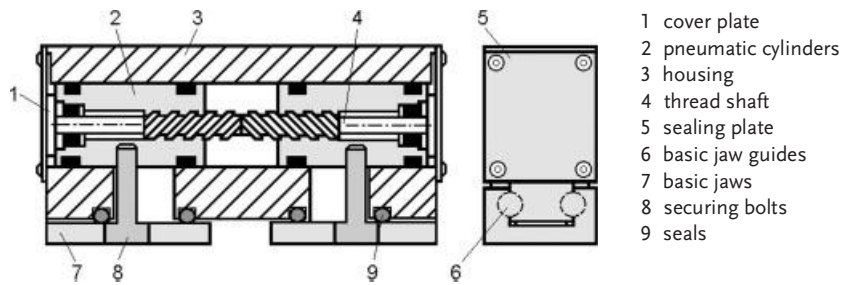


Fig. 1.6: Synchronization of the gripper fingers by means of a right and left hand threaded shaft

Such movement may also be realized by a gear comprising only links and levers (double swing mechanism), as shown in Figure 1.7 (see also the solution depicted later in Figure 3.15). The basic jaws are again pneumatically driven by means of cylinders integrated within the gripper housing.

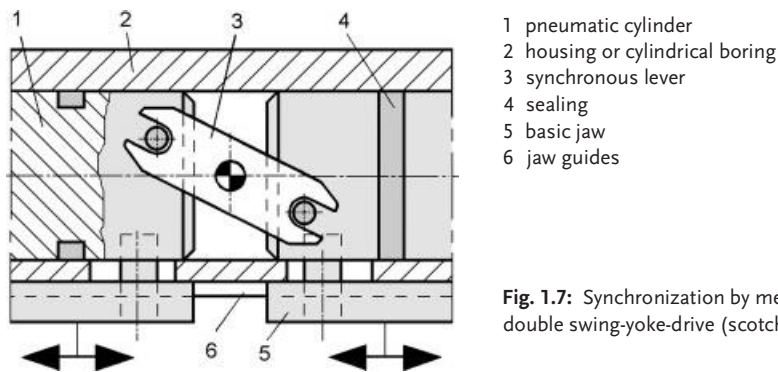


Fig. 1.7: Synchronization by means of a double swing-yoke-drive (scotch-yoke drive)

**TCP** (*tool centre point*): Working point at the end of a kinematic chain. The TCP serves also as a programmed reference point for an end effector and as a rule determines the origin of the tool frame. A coordinate system whose origin coincides with the TCP is called *tool frame*. Multiple gripper heads may possess several TCPs (Fig. 1.8) or one main TCP with the rest being defined relative to the main TCP by tool offsets.

**Thermo-adhesion**: Contigutive prehension force by means of thermal effects. Usually in the form of freezing or melting.

**Workpiece or object**: A general term which refers to the component or object to be pre-hended or which is already under prehension by the gripper.

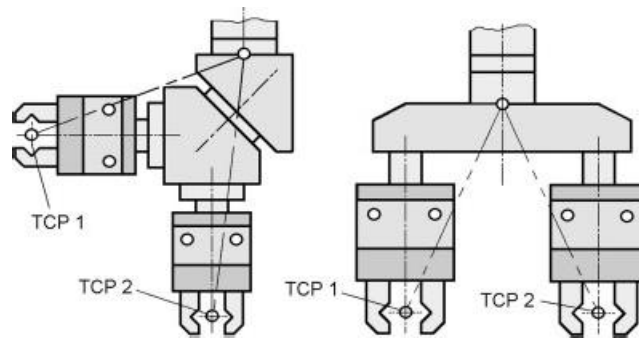


Fig. 1.8: TCPs of multiple grippers

### 1.3 Grasping in Natural Systems

In the course of its evolution Nature has created many different interesting grasping mechanisms. The elephant's trunk can be regarded as a biomechanical phenomenon. According to Brehm's Life of Animals, it is

*"... simultaneously a smelling, feeling, and grasping organ. It is composed of ring and longitudinal muscles, according to G. Cuvier (1769–1832) these are about 40 000 separate bundles, which enable not only any twisting but also stretching and contraction".*

In his work on kinematics during the second half of the 19th century, F. Reuleaux (1829–1905) analyzed (among others) animal mechanisms of motion [1-2]. These included the mouths of fish and bird's beaks which are also used to perform prehension tasks. The use of astrictive force through suction is also nothing new in nature. Such techniques are used by fauna as suction feet (Fig. 1.9), e.g. in cephalopods. The male of the diving beetle (*Dytiscus marginalis*) possesses stemmed suction cups on its front legs. Applying them to a surface causes spreading of the finely chitinous, semispheric caps at their delicate edges. Drawing them back then results in a reduction in pressure which in turn produces the adhesion effect. Lizards possess adhesion lamellae on their toes (dry adhesion) which enable them to traverse glass plates using their surface roughness [1-3]. There are in fact many

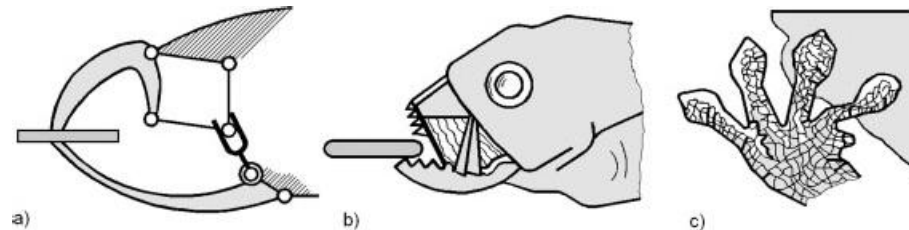
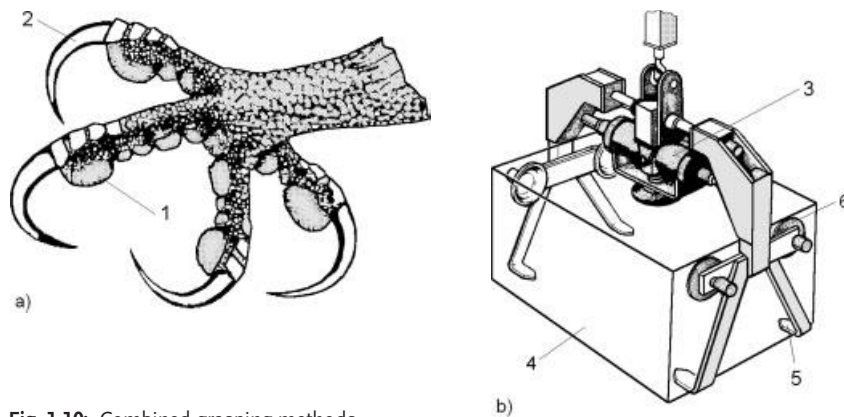


Fig. 1.9: Natural grasping, holding, and mastication mechanisms  
a) bird's beak, b) fish mouth, c) suction foot

grippers whose kinematic principles are strongly related to those of Bird's beaks or elephant's trunks, for example in paint spraying or to encompass an object (see the soft grippers in Chapters 8 and 13). In order to handle fragile objects, grippers which imitate the muscular hydrostates of squid tentacles, have been utilised. The prehension and mastication organs of insects (*Chelicerae* of spiders, *Mandibles* of biting and chewing insects like the antlions) resemble impactive grippers [1-4].

If we consider the osprey (Fig. 1.10), we can see that the problem of "grasping under complicated conditions" has been solved in the course of biological evolution in a very interesting manner. The osprey is able to grasp objects whose surfaces enjoy extremely low friction coefficients (specifically to avoid prehension by predators!) during flight.

The grasping foot exhibits long-drawn and sharp claws which make it possible to catch the prey (ingressive prehension). The lower part of the foot exhibits soft pads with a high coefficient of friction (buffered impactive prehension). During grasping these pads produce a suction (astrictive prehension) effect against the smooth surface of the object. Hence, in this case several effective prehension principles are combined. Indeed, there also exist robot grippers which prehend by impactive clamping and simultaneously use vacuum suction (Fig. 1.10b). However, none of the man made grippers possess the wealth of fine details observed in nature. Why?



**Fig. 1.10:** Combined grasping methods  
 a) grasping foot of an osprey *Pandion haliaetus*, b) hook gripper combined with suction cups  
 1 anti slip pads, 2 claw, 3 pneumatic cylinder, 4 gripped object, 5 hook, 6 suction cup

Crab pincers are another good example often imitated by man. The crab arms end with a robust scissor mechanism which serves for both grasping and pressing. From the point of view of kinematics, it is simply a matter of the successive coupling of two four-link spherical gears (Fig. 1.11). To these ends crab arms possess the following design properties:

- They have a large pivoting angle for a small number of arm links.
- They can exert relatively large forces.
- The joints between the arm links are free from mechanical play and are capable of working under pressure over an extended range of motion.